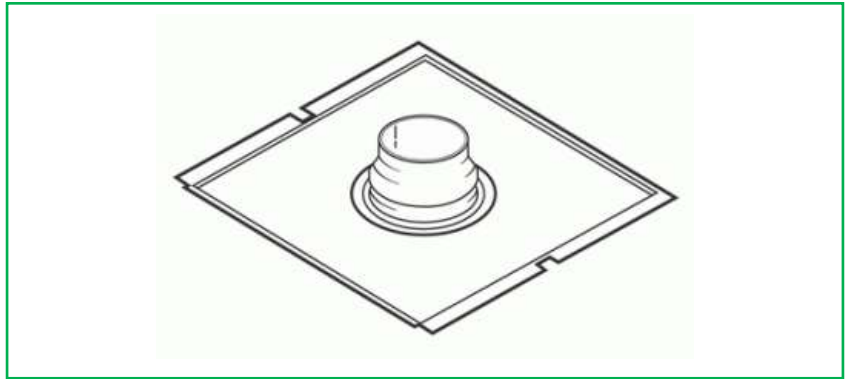




**PRODUCT NO.: 7284**



## **CANOPY CONNECTION (Labconco)** **3ft, For Labconco XPert Filtered Balance Systems**

**DESCRIPTION:** The canopy connection allows the enclosure to be thimble-ducted to the outside for additional protection. The canopy's air gap provides a means of balancing air by allowing room air to enter the ductwork and mix with the filtered air being exhausted from the enclosure. An additional blower source is required.

If any type of fumes, gases or vapors is anticipated to be created inside the XPert Filtered Balance System, the enclosure can be modified to accommodate external ductwork. This canopy connection can be purchased and installed on the top of the hood. This will enable the hood to be connected to appropriate ducting material.

### **TECHNICAL SPECIFICATIONS:**

- Weight: 18.0 lbs / 8.2 kg
- Overall Dimensions: 32.53"W x 19.28"D x 4.50"H
- Collar Dimensions: 6.06" I.D. / 6.19" O.D.
- Enclosure Width: 3ft

### **ADDITIONAL INFORMATION:**

- Applicable Products:
  - 9333-01: 3ft XPert Filtered Balance System
  - 9181-01: 3ft XPert Filtered Balance System w/Analog Airflow Monitor