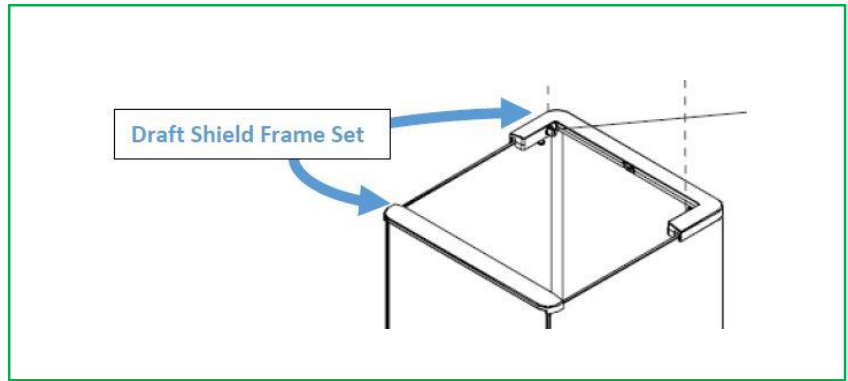




MEDISCA[®]
YOUR TRUSTED PARTNER IN COMPOUNDING

PRODUCT NO.: 6572



DRAFT SHIELD FRAME SET

For AV313

DESCRIPTION: This frame set comprises of 2 cross-members which act as a framework for insertion of the draftshield panels.