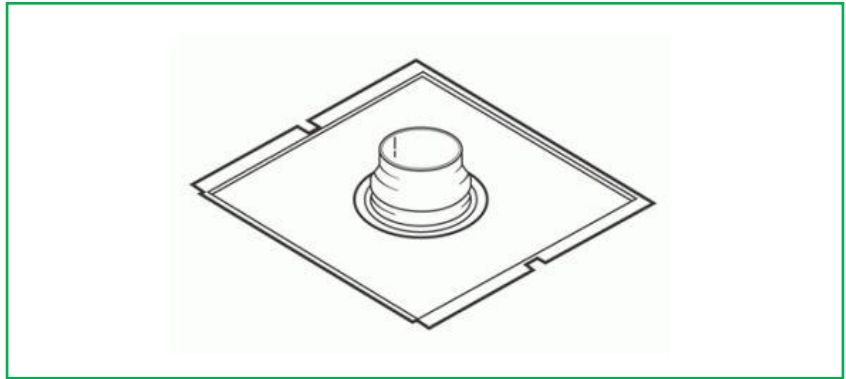




MEDISCA[®]
YOUR TRUSTED PARTNER IN COMPOUNDING

PRODUCT NO.: 6395



CANOPY CONNECTION, LABCONCO (2 ft)

For Purifier Class I & HEPA Filtered Enclosures, Xpert Balance Systems

DESCRIPTION: This canopy connection allows the enclosure to be thimble-ducted to the outside for additional protection. The canopy's air gap provides a means of balancing air by allowing air to enter the ductwork and mix with the exhausted filtered air from the enclosure.

TECHNICAL SPECIFICATIONS:

Enclosure Width (ft)	2
Weight (kg / lb)	6.8 / 15